



Hobie® Mirage®
Kayak Manual

In 1950, Hobie's dream was born in his parents' garage when he decided to apply his love of woodworking to the sport of surfing. Dad backed out the Buick... Hobie carved out his very first surfboard...

Hobie's business of fun had begun.

Anatomy	5
MirageDrive	6
Vantage CT	11
On the Water	19
Lowrance Ready Option.....	22
Storage and Transport.....	25
Maintenance and Care	28
Kick Up Adjustment.....	29
Safety	30
Warranty.....	32

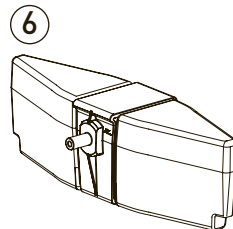
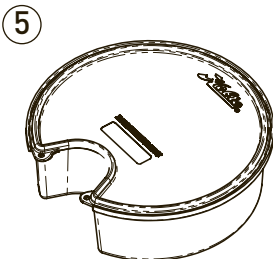
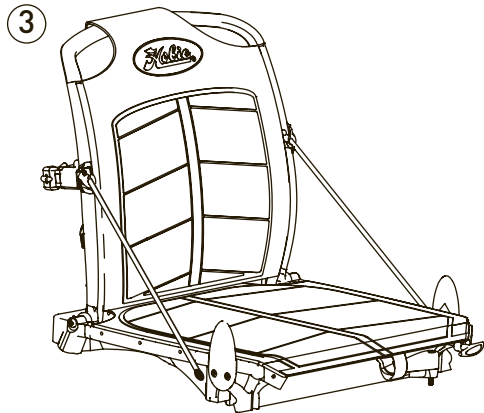
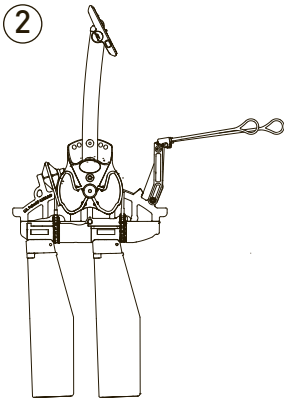
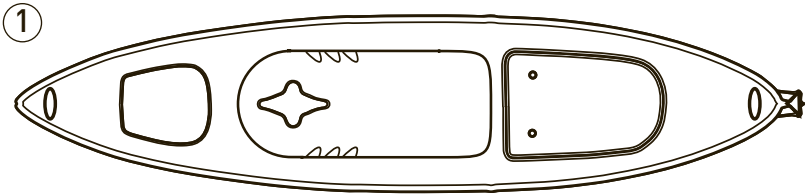


Look for this icon. Online video is available at

www.hobie.com/support/products

Please read through the instruction manual before using this product

1. Hull
2. MirageDrive 180 Kick Up
3. Vantage CT Seat
4. Paddle
5. Gear Bucket
6. Cassette Plug

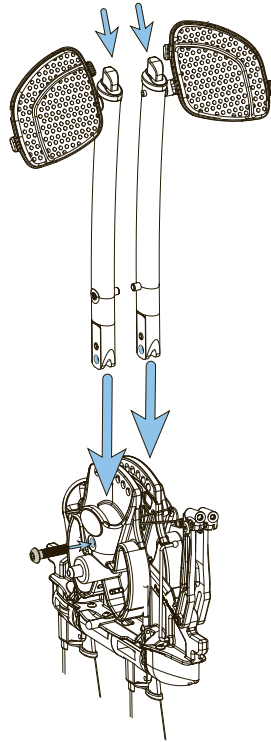


MirageDrive Cranks

Depending on the Mirage kayak model, cranks may or may not require assembly.

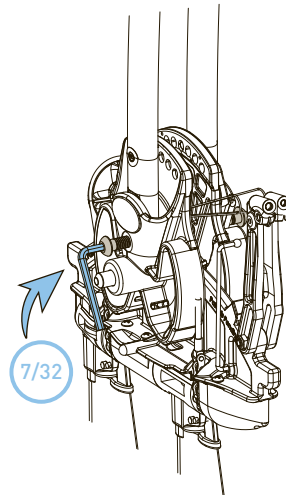
①

Insert cranks into drums while depressing button at top.



②

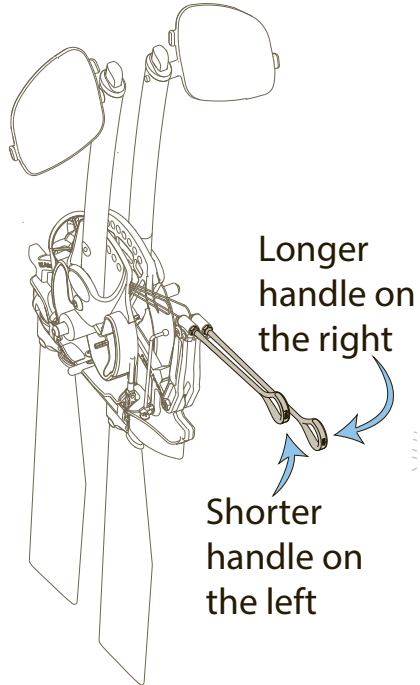
Tighten crank bolt all the way (snug not tight) using a $7/32$ " hex wrench.



FWD/REV Handle Installation

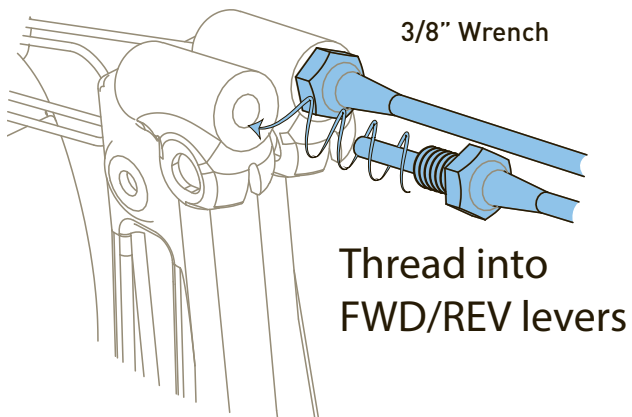
①

Position the shorter (FWD) handle on the left and the longer (REV) handle on the right



②

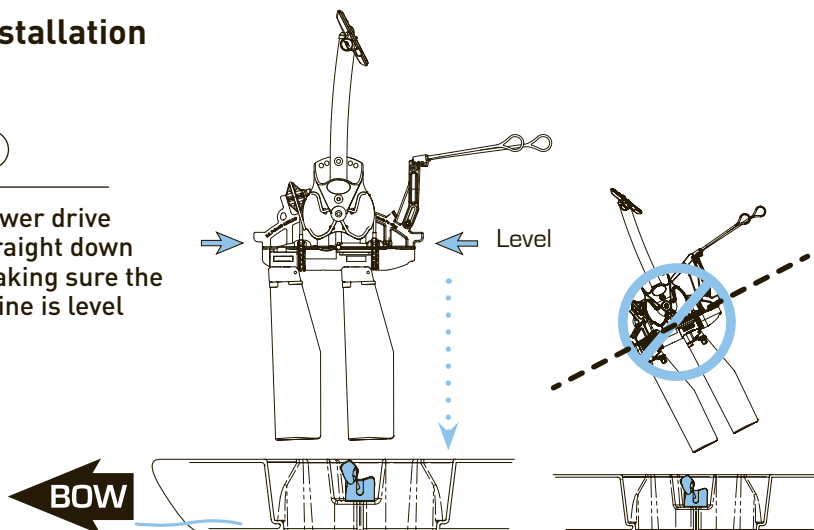
Screw both pull handles into the levers on the MirageDrive



Installation

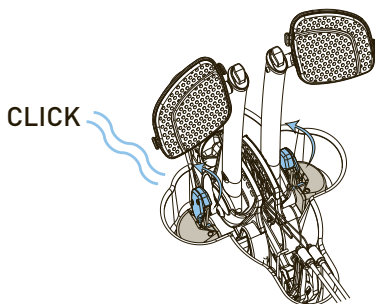
①

Lower drive straight down making sure the spine is level



②

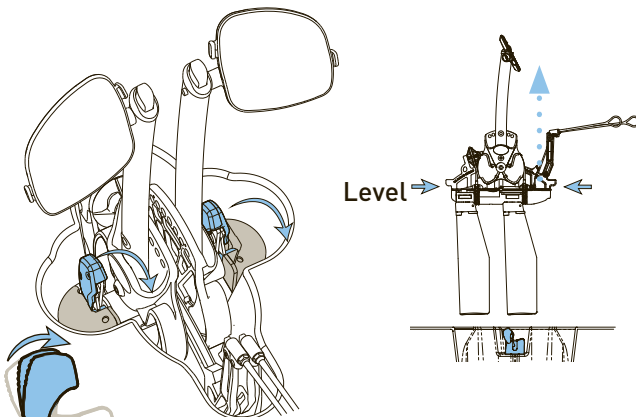
Press down and lock drive into Click and Go's. The drive locks automatically when installed.



Removal

①

Pull back each Click and Go lever



②

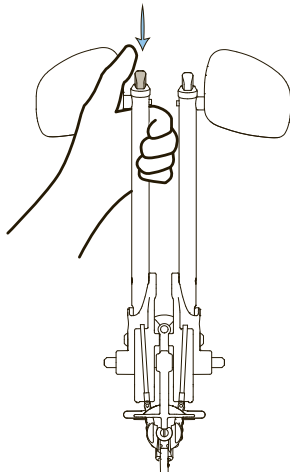
Lift drive straight up



Pedal Adjustment

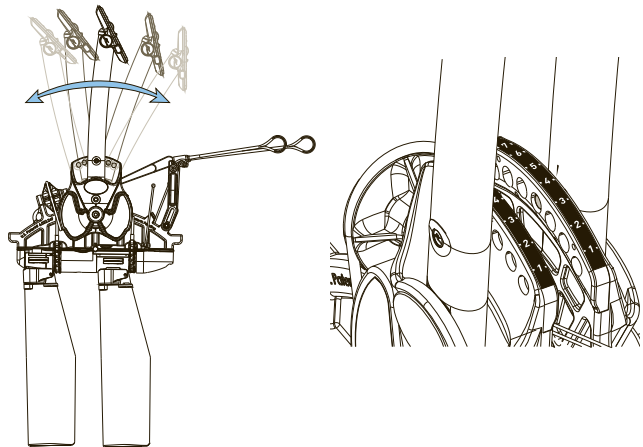
①

Press the adjuster button at top of crank.



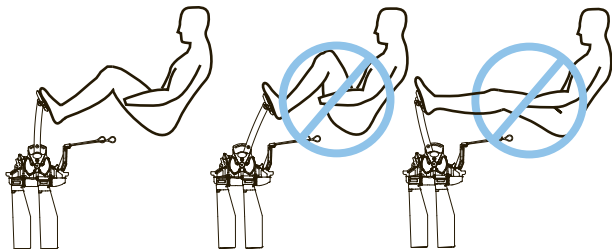
②

Adjust cranks by rotating and clicking them into the desired position. Make sure both cranks are in the same position number.



③

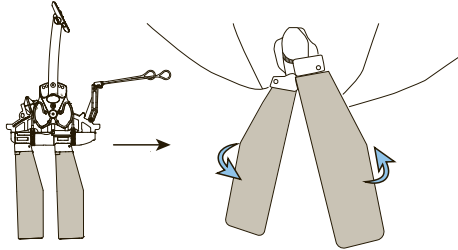
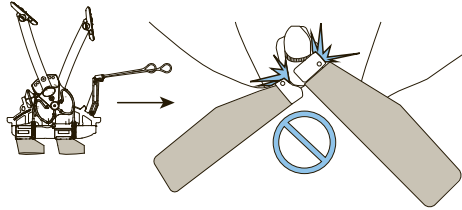
With both feet on the pedals and together (fins straight down), your knees should be comfortably bent and not over crunched or extended.



Reverse

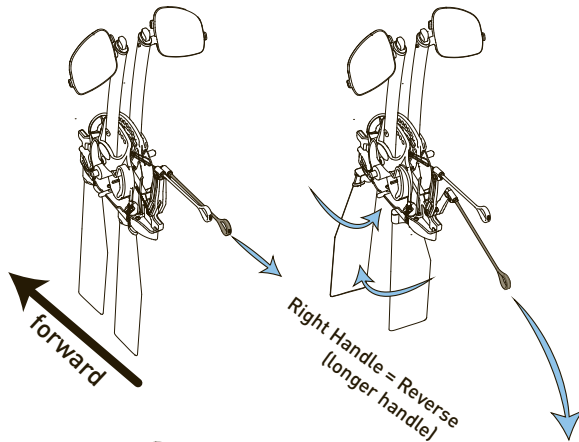


Shifting with the fins too far apart can cause interference with the shift. Pull with firm pressure while cranks are close together.



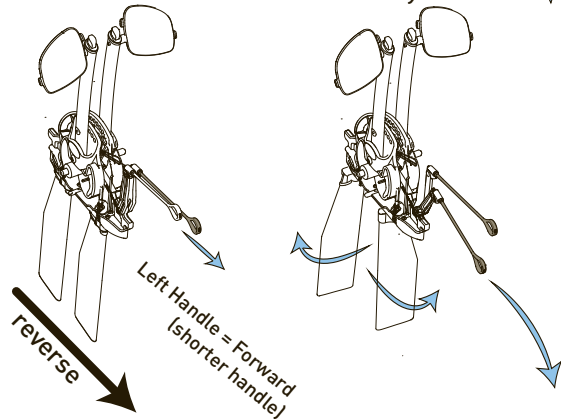
①

From the forward position, pull the right handle to shift the drive into reverse. (This is the longer handle of the two)



②

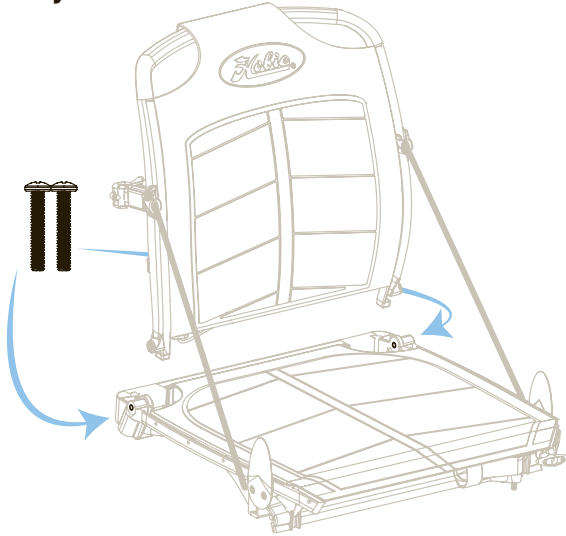
From the reverse position, pull the left handle to shift the drive into forward.



Vantage CT Assembly

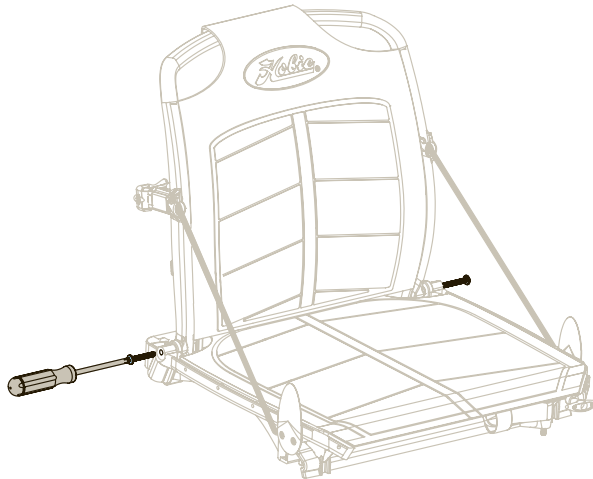
①

Line up threaded inserts on seat back frame with holes molded into seat bottom frame.

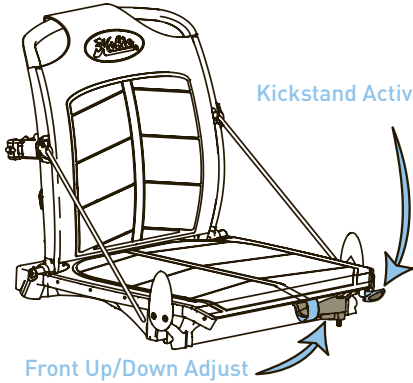


②

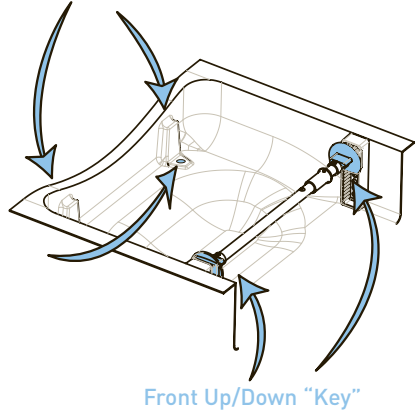
Start to thread in the screws on each side before tightening them down.



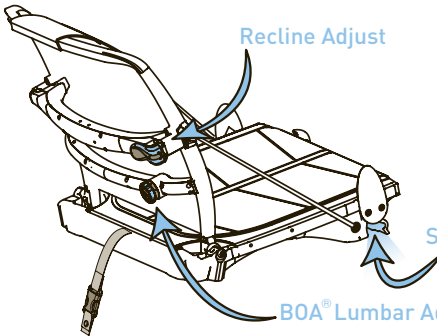
Anatomy



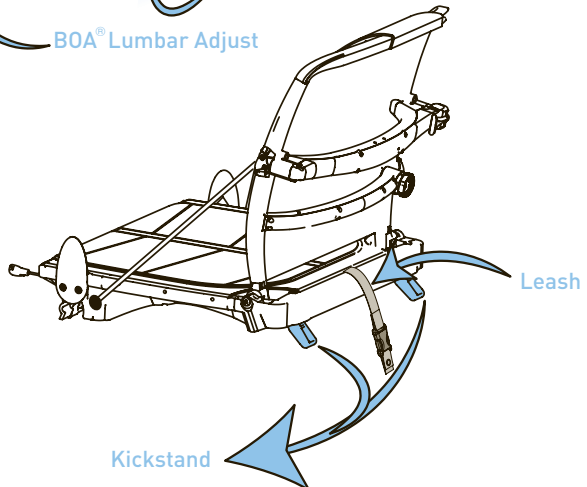
Molded-in Kickstand Supports
(Exclude Revolution 11 Models)



Structural Inserts for Kickstand Supports
(Insert Does Not Require Any Fasteners)



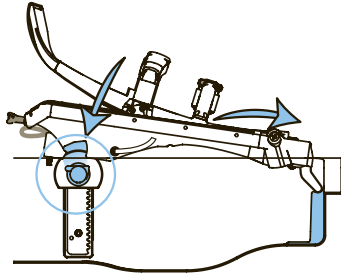
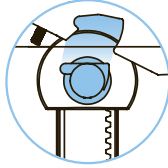
Seat Bottom Frame "Shoe"



Seat Installation

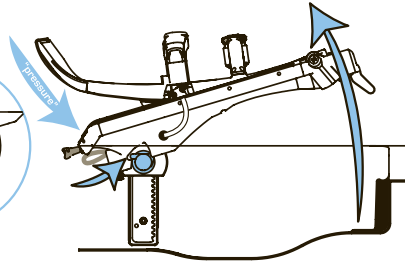
①

Line up the front of the seat bottom frame over key and slide the back of the frame to the back wall in the cockpit.



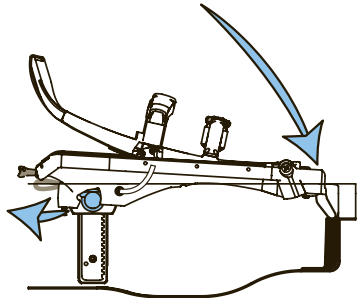
②

Put pressure on the front of the seat mesh & lift the back of the seat bottom frame to set the seat into the key.



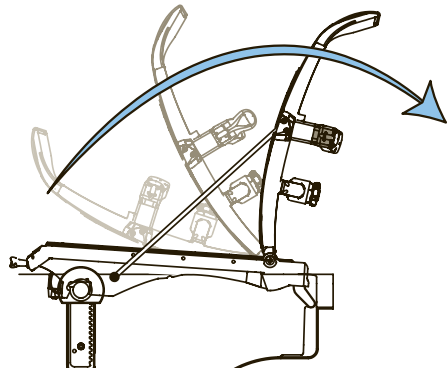
③

Push the seatback frame down once the seat frame is fit into the key. Pull up on front of seat to check for proper installation.



④

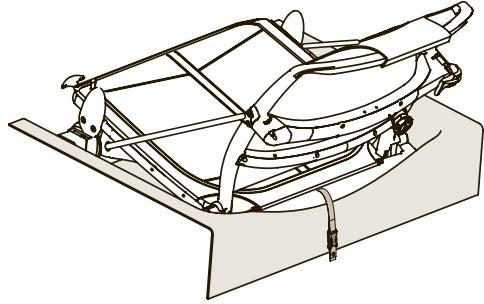
Flip seat back up.



Seat Installation

5

Locate leash buckle on the seat bottom frame and firewall behind the seat.



6

Line up and plug in the two parts of the buckle.



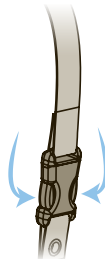
7

When the two parts are clicked into place, the seat is secured to the kayak.



8

Pinch to unlock.

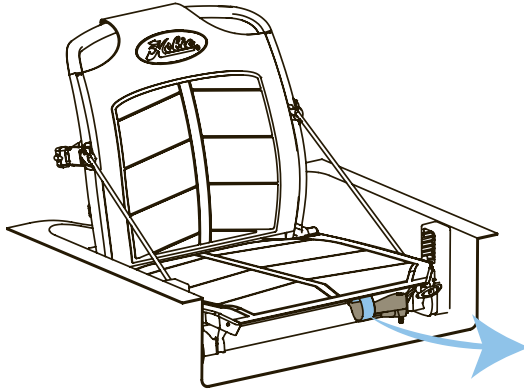


Warning: Failure to secure the seat with the leash buckle could result in loss of seat during a capsize event.

Front Up/Down Adjustment

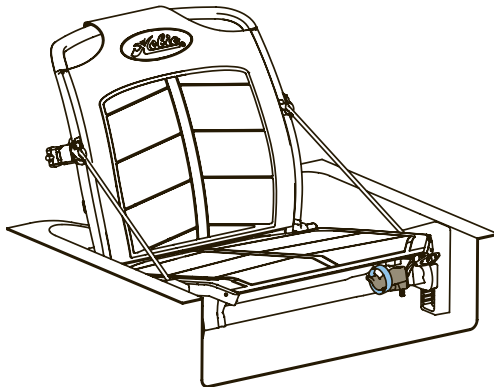
①

Pull lever out to activate front up/down adjustment.



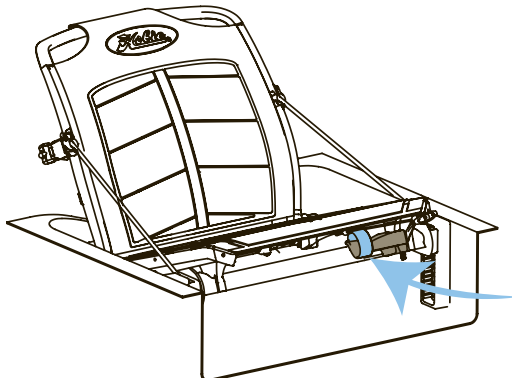
②

Lean back into seat back to raise the front up/down adjustment. Use body weight in seat bottom to drop into a lower position.



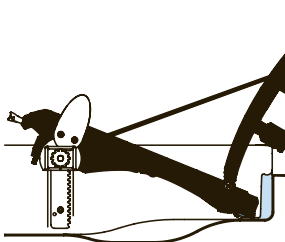
③

Release lever to lock the desired position of the front up/down adjustment.



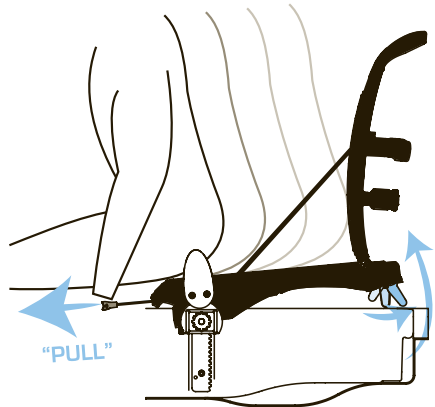
Rear Up/Down Adjustment

LOW

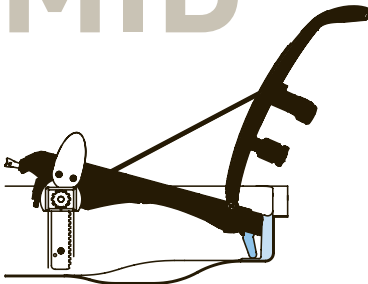


The seat is set to a default low position.

Move weight toward the front of the seat bottom mesh to raise the back of the seat. Pull "T" handle to activate kickstand.



MID

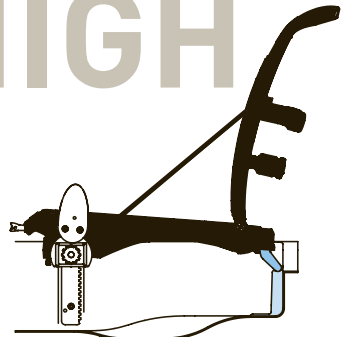


Set kickstand on the boat hull for mid-level seating.

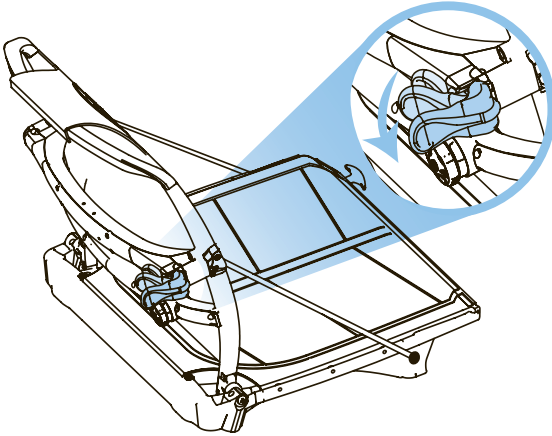
HIGH

Set kickstand on the shelf for high-level seating.

(There is no shelf for the high seating position on Revolution 11 models.)

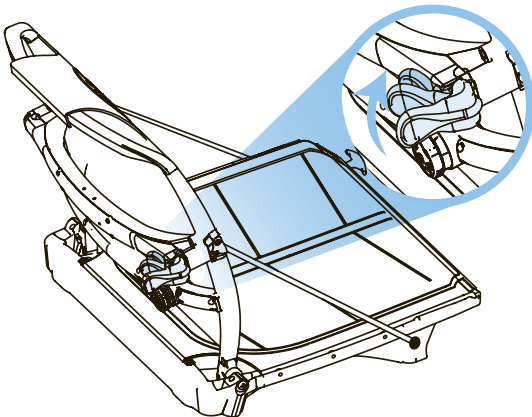
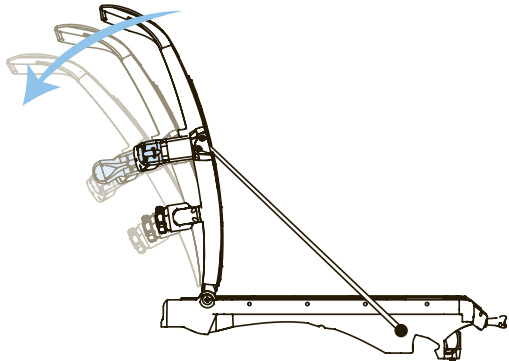


Recline Adjustment



Pull lever out to activate the seatback to recline.

While holding the lever out, push back into the seat to recline.

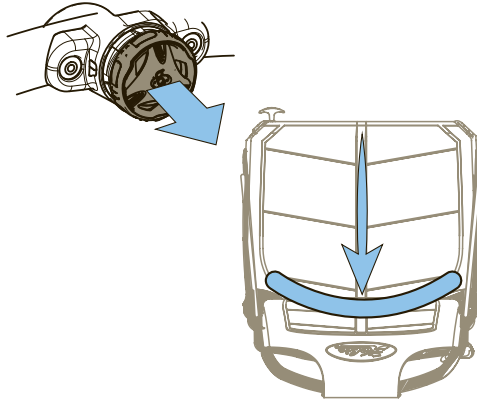


Release lever to lock seat into position.

Lumbar Adjustment

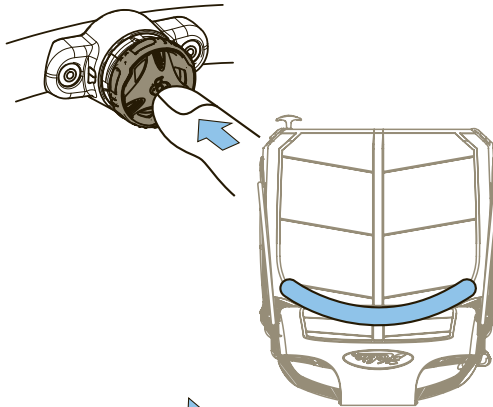
①

Pull knob to release lumbar.



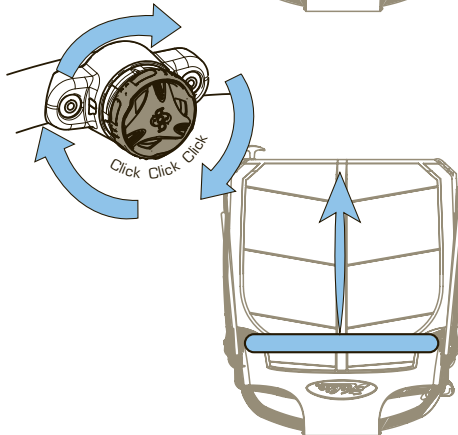
②

Press knob to lock lumbar.

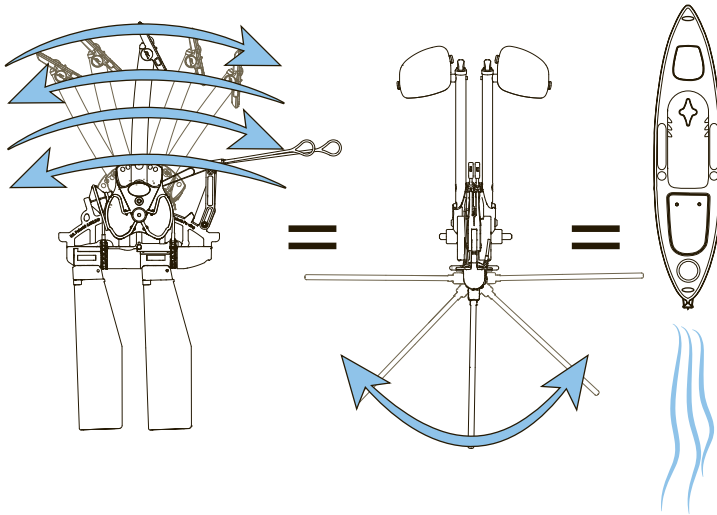


③

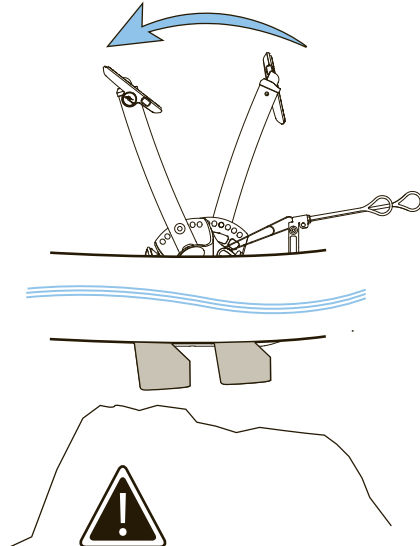
Rotate knob to tension lumbar.



MirageDrive Operation

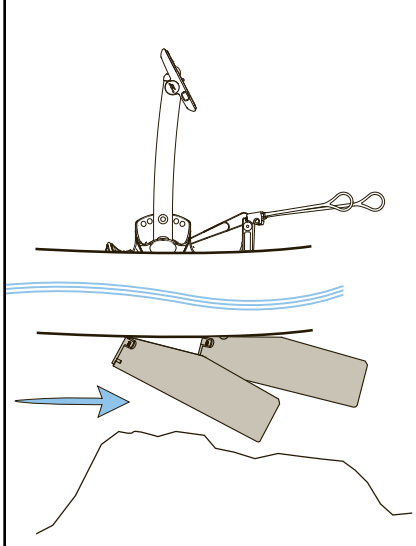


Shallow Water and Beaching



Press either pedal forward in shallow water to raise fins. Pressing one pedal fully forward will orient the fins with the kayak underside.

Kick Up Fins

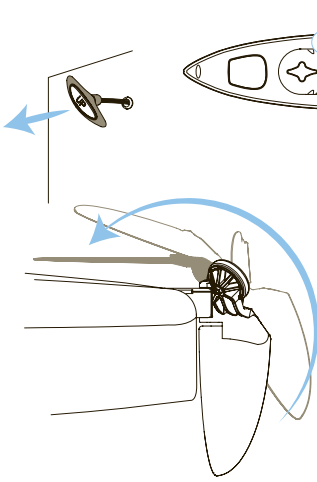


The kick up fins will automatically retract backwards when coming in contact with any object and resume their normal position when clear of obstruction and you pedal.

The 'Rudder' T-Handle is located on the right/ starboard side near the front of the kayak.

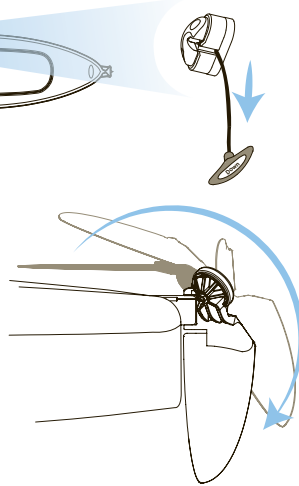
Rudder DOWN

Pull 'Rudder' T-Handle toward center of cockpit to uncleat and deploy.

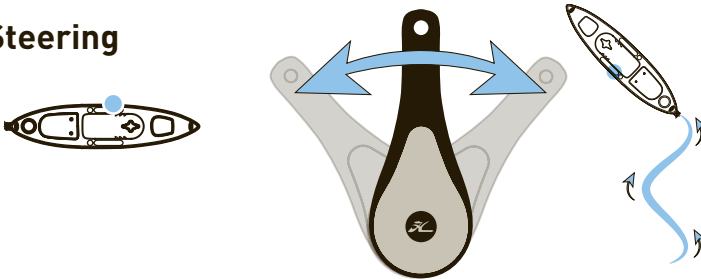


Rudder UP

Pull 'Rudder' T-Handle line straight back through cleat to retract rudder.

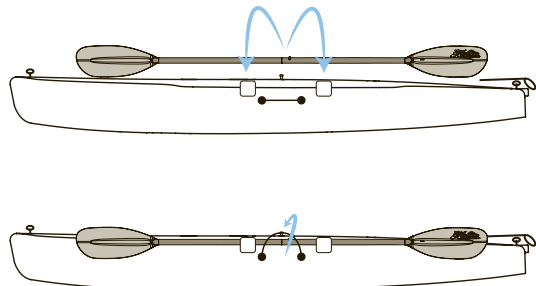


Steering



Paddle Storage

Rest paddle on side rails for storage. Secure by hooking the shock cord around eyelet post.



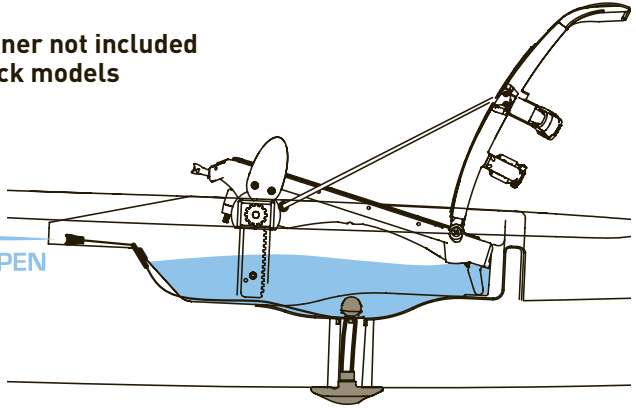
Seat Drainer



Seat Drainer not included on Outback models

Pull "T" Handle to open drain.

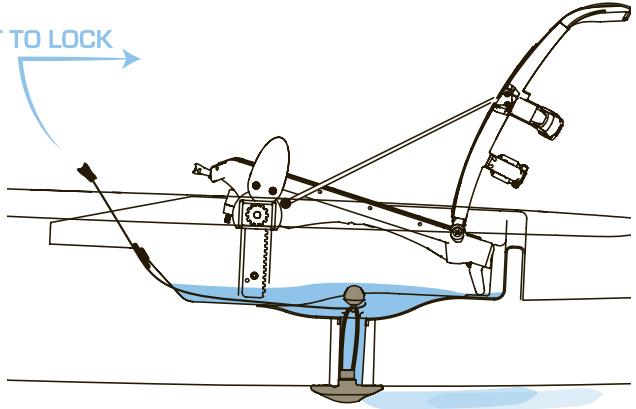
PULL TO OPEN



CLEAT TO LOCK

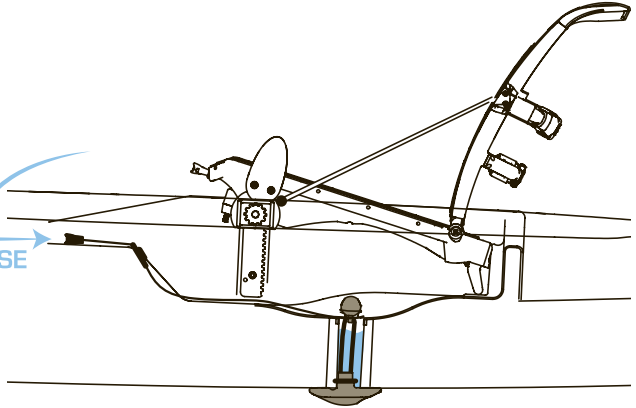
Cleat to keep drain open.

Note: Pedal at a brisk pace to evacuate water from seat well.



Uncleat and release to close drain.

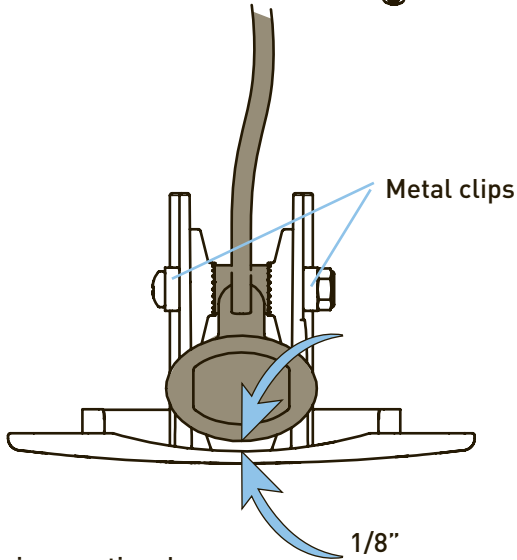
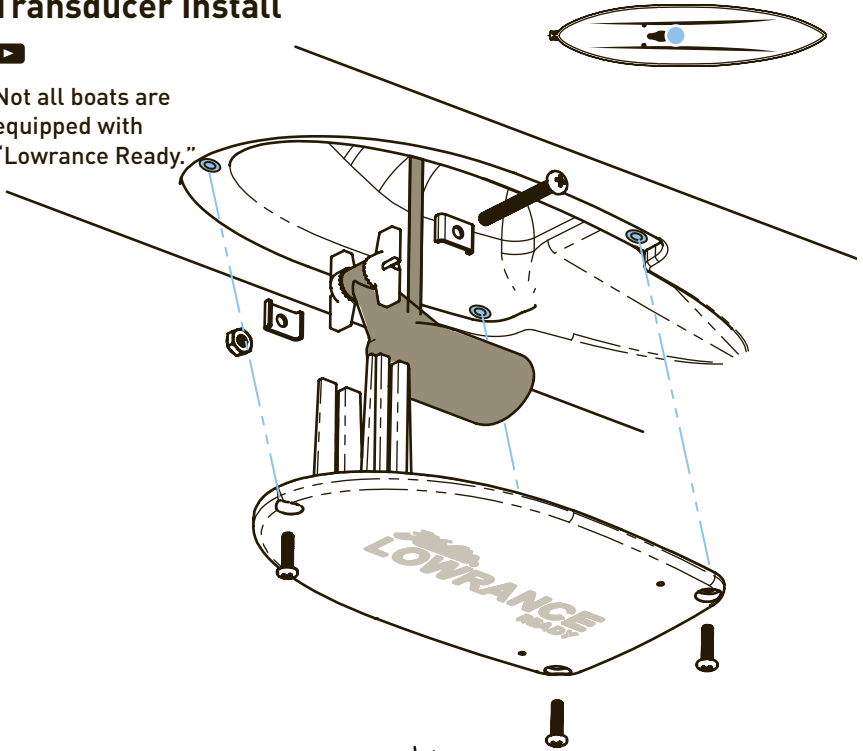
UNCLEAT TO CLOSE



Transducer Install

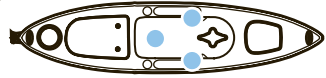


Not all boats are equipped with "Lowrance Ready."



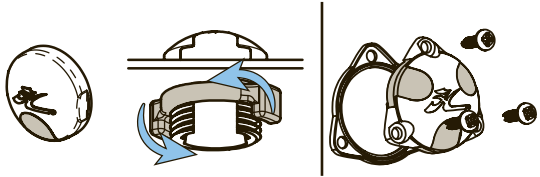
The transducer is an optional accessory and is not included with boat

Thru-Hull Plugs Single and 3-way



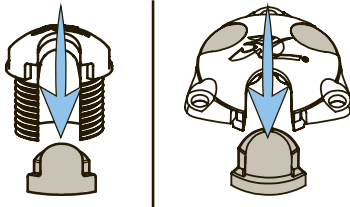
①

Locate the thru-hull plug and unscrew the nut on the inside of the boat.



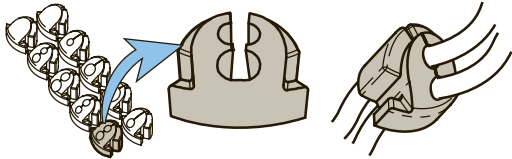
②

Remove the solid rubber plug.



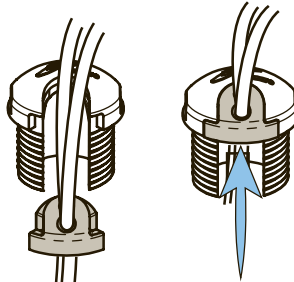
③

Choose the correct plug for your wire size and insert the wire by opening the plug along the slit.



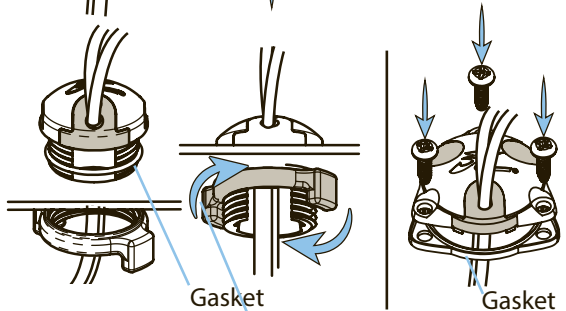
④

Press the new plug with the wire installed into the plastic plug making sure it fits tightly.



⑤

DO NOT USE A DRILL for the three way plug. Bolt or screw the thru-hull wire assembly to the hull using the nut or screws. Make sure you have the o-ring or gasket installed.

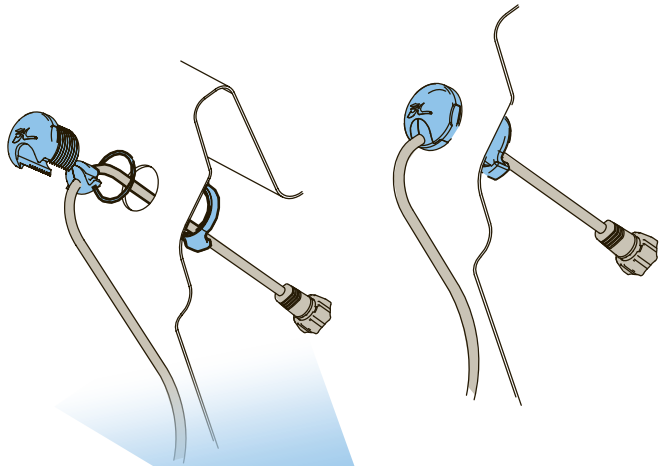


Wire Installation



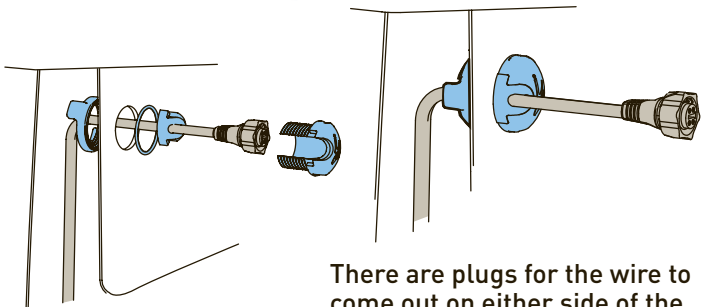
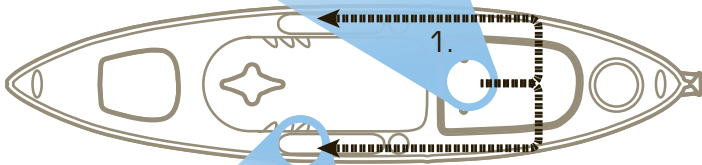
①

Run the cable into the plug just behind the transducer scupper.



②

Lead the cable through the inside of the boat and exit the cable out through the thru-hull fitting.

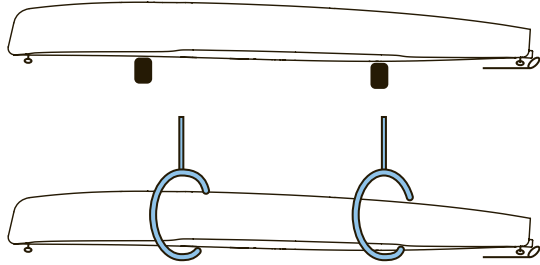


There are plugs for the wire to come out on either side of the boat if you prefer a right/left side screen location.

NOTE: Some plugs are located in cup holders and mesh pockets.

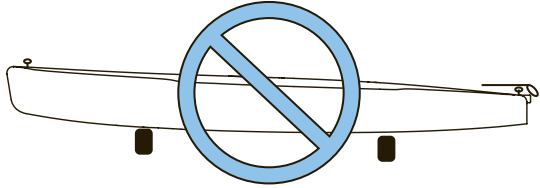
Storage Do's

Storing your boat upside down on crossbars or hanging from wide strapping are two ways to keep the boat stored.

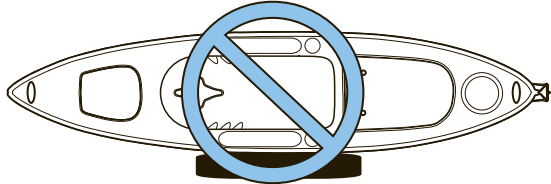


Storage Don'ts

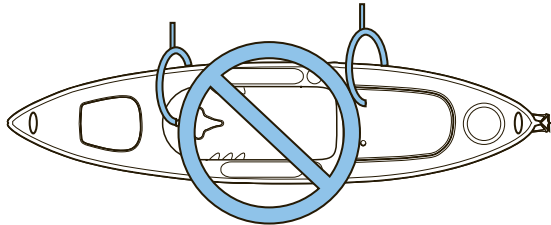
Storing your boat cockpit side up on crossbars can dent the bottom.



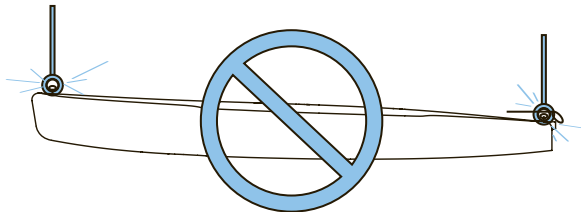
Storing your boat on its side over a long period of time can flatten/dent the sides.



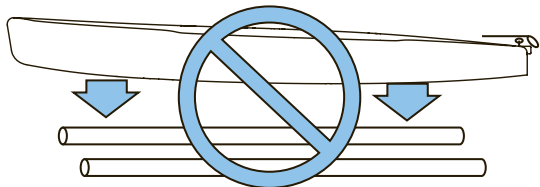
Hanging the boat by the scuppers can distort the scupper holes.



Never hang the boat by handles or pad eyes. They are not designed to handle long-term load and will fail.



Never use PVC runners or tubes to store boat on.

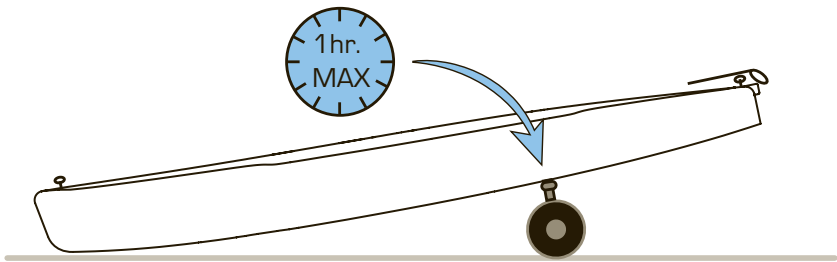


Additional Storage Key Points

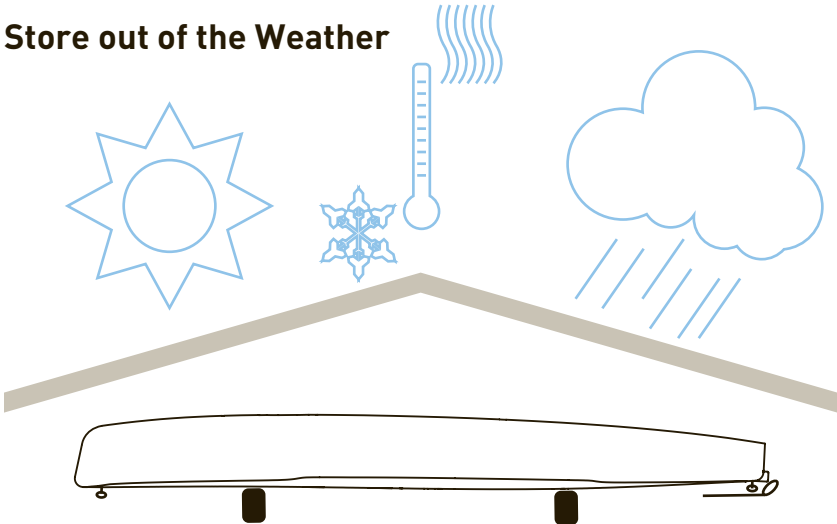
- Always remove all water from boat
- Don't leave tie-down straps tight over a long period of time
- Storing in non-recommended configurations can result in hull damage and can void your warranty

Cart

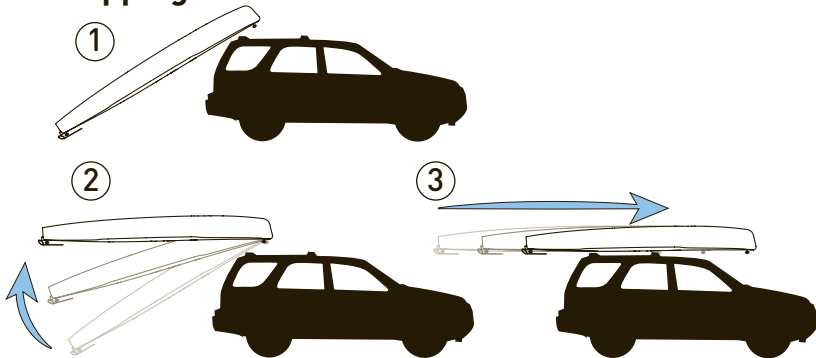
The cart should be used for transportation purposes only and not as a storage platform. Do not leave your boat on the cart for more than one hour (less time in warmer temperatures or direct sunlight).



Store out of the Weather



Roof Topping



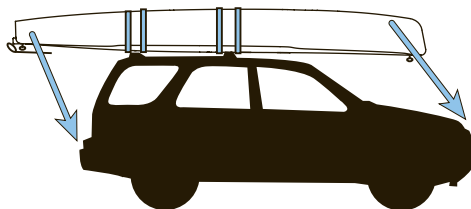
The best way to transport your boat is to purchase a trailer or roof rack from your dealer. Using proper cradles that support the hull, the boat can be transported right side up. Straps can then be laid across the boat and tied to the rack bars. Straps should be tight, but not so tight that they distort the shape of the boat. Avoid using ratchet straps to prevent overtightening.



Be sure to consult your car and roof rack owner's manual to ensure that you comply with all recommendations, precautions and specifications.

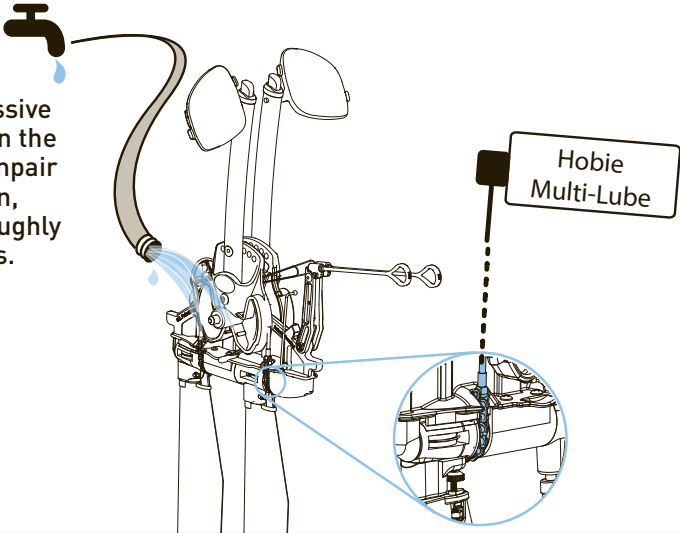
Running a line or strap from the bow and stern of the boat to each bumper is required. If your bumpers do not have a gap to pass a rope around, look underneath. There should be a loop of metal, which is used by car transports such as tow trucks.

Many people like to use the scupper holes to tie the boat to the car. This helps prevent the boat from sliding back and forth or the tie-down rope from slipping off the boat. (This is an acceptable method for tying the boat down for transport.)

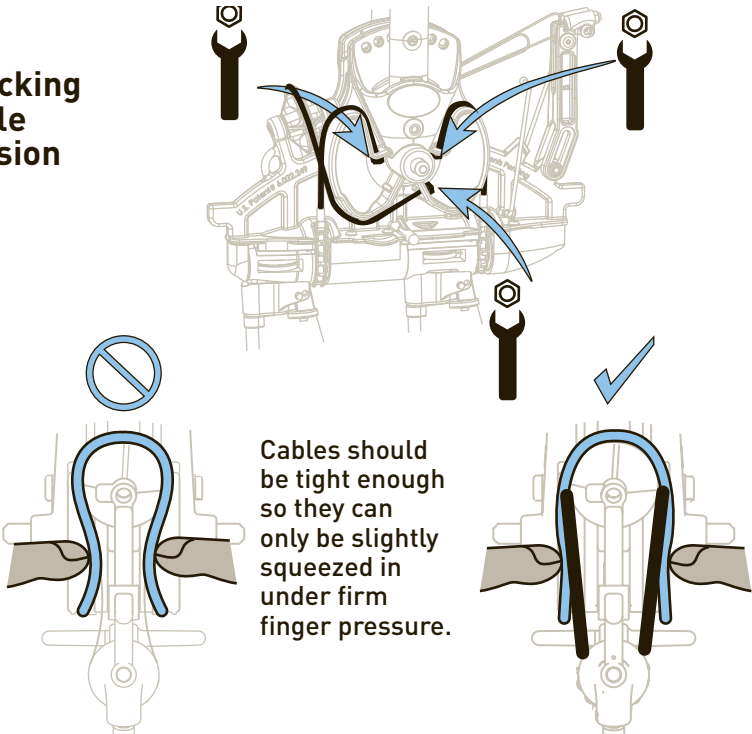


MirageDrive Regular Maintenance

Note: Excessive sediment on the drive can impair 180 function, rinse thoroughly to avoid this.



Checking Cable Tension



Cables should be tight enough so they can only be slightly squeezed in under firm finger pressure.

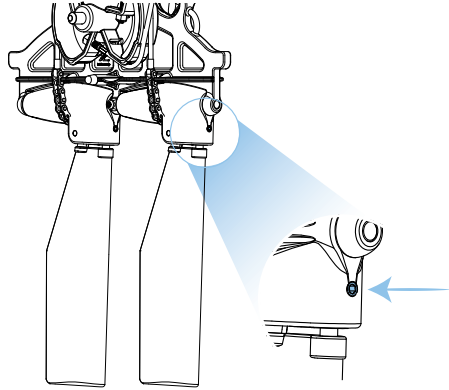
Visit the "support" section at hobie.com for information on the MirageDrive.

Kick Up Fin Adjustment

If the fins do not stay locked into position and feel loose, you'll need to adjust the kick-up set screw.

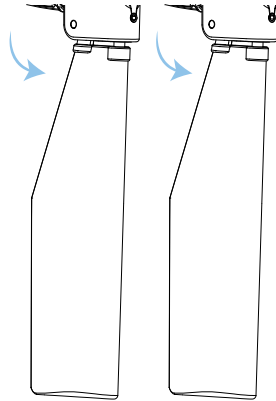
①

The set screw is located in the housing at the base of the fin.



②

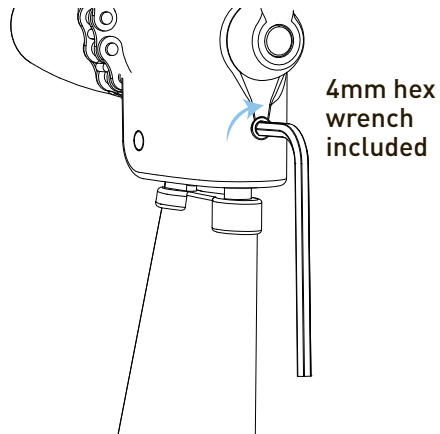
Make sure that the fin is completely engaged into the sprocket.



③

Tighten the screw 1/4 turn at a time until the set screw just touches the fin.

Test the fin by moving it in and out of the kick-up position to determine if it needs to be tightened or loosened.



Checklist

Please read through the owner's information package prior to using this product.

The user of this product acknowledges both an understanding and assumption of risk involved in paddle/pedal sports. Consult your physician prior to beginning.

Always:

- Wear a Coast Guard approved personal flotation device (lifejacket).
- Dress appropriately for weather conditions; cold water and/or weather can result in hypothermia; apply sunscreen and other sun protective clothing.
- Check your equipment prior to each use for signs of wear or failure.
- Tie a safety leash to your paddle and MirageDrive.
- Scout unfamiliar waters.
- Be aware of river water levels, tidal changes, wind conditions, obstacles in and above the water and weather changes.
- Always make sure that your hatches are secure and closed.
- Carry a pump and/or bailing device.
- Always carry the spare paddle provided with the boat.

Never:

- Never go alone and always file a float plan.
- Never go in flood and/or fast moving water conditions. Hobie kayaks are not designed for fast moving water.
- Never exceed your ability and be aware of your limitations.
- Never use alcohol or mind-altering drugs prior to or while using this product.
- Never open your hatches in unstable water conditions.
- Never remove the foam pieces inside the hull. They are installed for structure, additional flotation and safety.

Shakedown Cruise

As with any new product, it is important that you become familiar with the boat and all its features. It is also important to determine that the boat is sound before long trips. We recommend that you do what we call a “shakedown cruise” when the boat is new, after shipping or transport, before long trips and after installing any thru-hull fittings. This test is typically done in shallow, calm conditions where you can familiarize yourself with or test the boat before taking any long trips into open water. Things you should check or practice are:

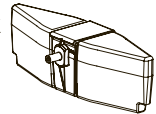
- MirageDrive installation, adjustment and removal
- Rudder operation
- Closing hatches properly
- Drain plug locations to make sure they are properly installed
- Getting in and out of the boat from a capsized state
- Taking the kayak sail down on the water (if applicable)

Getting into your Boat

If you fall out of your boat, stay with the boat. You should be properly wearing a life jacket/PFD which will keep you afloat. If the boat is upside-down, it will need to be turned over. To do this, reach across the bottom of the boat and grab the scupper hole or the Hobie MirageDrive and pull the boat upright. Position yourself so your head is near the cockpit area of the boat and you are facing the boat. You will want to be between the seat and the footwell areas of the boat. Reach across the boat to the far edge with one hand. Place the other hand on the near-side rail, then kick with your feet, pulling yourself up and onto the boat. Roll over onto your backside toward the seat, which should place your backside in the seat. Sit up, swing your feet into the footwells and you’re ready to go.

Mirage Kayak Cassette Plug

Your Hobie is shipped with a Mirage Cassette Plug. The plug is provided as standard equipment in the Mirage Kayak package. Insert the plug into the Mirage well when the MirageDrive is removed to provide added safety and to “fair” the bottom of the hull when paddling.



Kayak Sail Safety

The kayak sail is a very popular optional accessory that works really well with Hobie Mirage kayaks. It is important to familiarize yourself with the use of the sail and how wind power affects the stability of the boat. The sail is not recommended to be used in wind conditions over 10 MPH.

It is very important that you complete and send us your Warranty Registration Card as soon as possible.

This information enables Hobie Cat Company to contact you should there be important product information that needs to be shared with you in a timely manner. Please complete the Warranty Registration Card in your Owner's Packet, or take advantage of our online option at:

<http://www.hobie.com/product-registration>

or

Scan this QR code with your smart phone

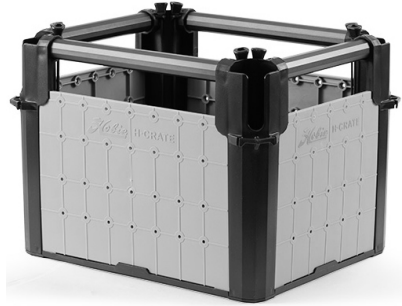


If you have a question or issue with your Hobie product, please see your Authorized Hobie Kayak Dealer. They will assess the problem, assist with a repair and file a warranty claim with Hobie Cat Company if needed. All warranty claims must go through your Authorized Hobie Kayak Dealer. The Warranty Registration Card and Warranty Policies are included with each model in the Owner's Packet. Type in the address below to go to our dealer finder webpage.

All specs, colors, graphics and features are subject to change without notice. Please refer to the website for complete details.

<http://www.hobie.com/dealers>

Enjoy the Ride!

Plug In Cart**Kayak Cover****Inflatable PFD****H-Crate****Hobie Vantage Seat bag****Hobie H-bar****Hobie Multi-Lube****Livewell**

For more accessories see:
<http://www.hobie.com/catalogs-brochures/>

Hobie Soft Cooler



Sail Kit



Turbo Fin Kit



Mirage Drive Leash Kit



Hobie UV Protectant



Hobie Small Dry Bag



Hobie Blue Tooth Speaker



Hobie Thin Back PFD





Hobie Cat Company

Holding Company

Oceanside, California, USA

1-800-HOBIE-49

Hobie Cat Australasia

Subsidiary

Huskisson, New South Wales, Australia

1-800-4-HOBIE

Hobie Cat Europe

Subsidiary

Toulon, France

+33 (0) 494 08 78 78

Hobie Kayak Europe

Independent Distributor

Stellendam, The Netherlands

+31 (0) 187 499 440

Hobie Cat Brasil

Independent Distributor

Porto Belo, Santa Catarina, Brazil

+55 (21) 3942 6815

Hobie.com